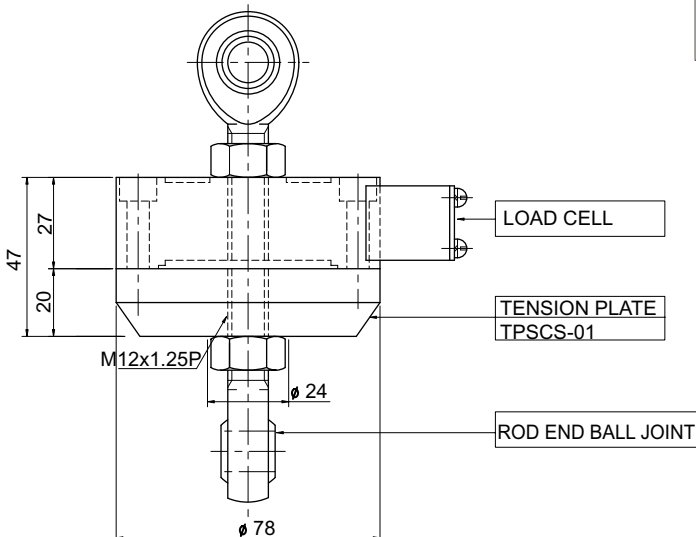
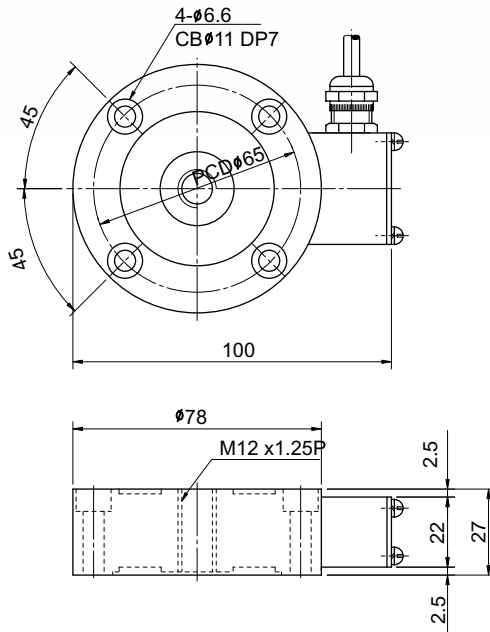


## Model DSCS Series

Compression & Tension  
Low Profile Load Cell(100~1000Kg)



The model DSCS is an low profile compression & tension pancake type load cell. All units are machined from a solid billet of stainless steel and sealed with welded diaphragms.

- 17-4PH Stainless steel construction for high accuracy and corrosion resistance
- Hermetically sealed
- High rated output(3mV/V)
- low profile

### SPECIFICATIONS

MODEL	DSCS
Rated capacity (R.C.)	100, 200, 500, 1000 Kg
Rated output (R.O.)	3mV/V ± 0.3%
Non-linearity	≤ 0.05% R.O.
Hysteresis	≤ 0.03% R.O.
Non-repeatability	≤ 0.03% R.O.
Creep error	≤ 0.05% in 20min.
Zero balance	≤ 1% R.O.
Compensated temperature range	-10 ~ 40 °C
Operating temperature range	-20 ~ 70 °C
Temp. effect on rated output	≤ 0.03% LOAD/10 °C
Temp. effect on zero balance	≤ 0.03% R.O./10 °C
Terminal input resistance	700 Ohms ±10 Ohms
Terminal output resistance	700 Ohms ±10 Ohms
Insulation resistance (Min.)	2000 MOhms at 50V DC
Excitation voltage	10V(Recommended), 15V(Maximum)
Electrical connection	φ 5mmx3m(22AWG x 4Core Shielded)
Protection class	meets IP 67
Safe overload	150% R.C
Ultimate overload	300% R.C

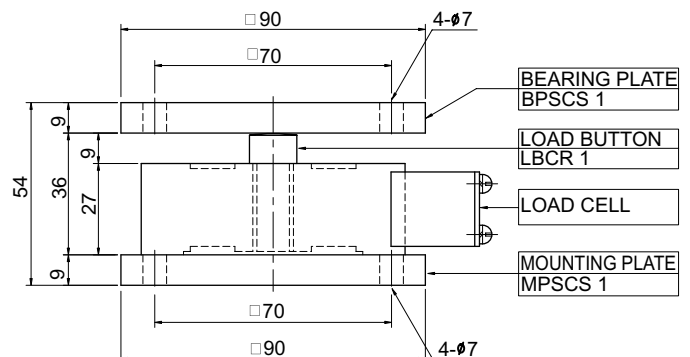
### WIRING INFORMATION

RED : EXC. (+)    WHITE : EXC. (-)  
GREEN : SIG. (+)    BLUE : SIG. (-)  
BARE : GND

### ORDERING INFORMATION

#### DSCS - 200

MODEL    CAPACITY  
100, 200, 500, 1000Kg



\* Specifications are subject to change without notice

JUN.2002