

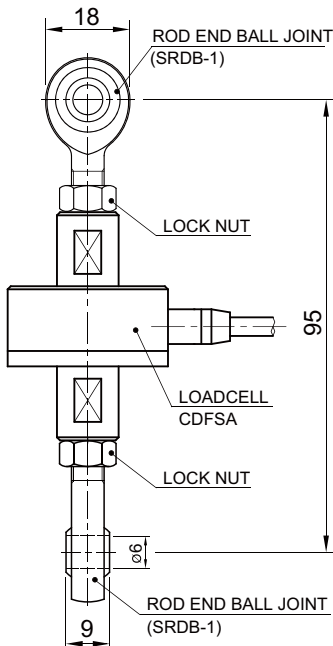
## Model CDFS Series

Tension & Compression  
Miniature Load Cell(10~200kg)

The model CDFS miniature type is designed for tension & compression service.

### SPECIFICATIONS

MODEL	CDFSA, CDFSB, CDFSC
Rated capacity (R.C.)	10, 30, 50, 100, 200kg
Rated output(R.O.)	1.0mV/V ± 1%
Non-linearity	≤0.5% R.O.
Hysteresis	≤0.5% R.O.
Non-repeatability	≤0.2% R.O.
Creep error	≤0.1% in 20min.
Zero balance	≤1% R.O.
Compensated temperature range	-10 ~ 70°C
Operating temperature range	-20 ~ 80°C
Temp. effect on rated output	≤0.1% LOAD/10°C
Temp. effect on zero balance	≤0.1% R.O./10°C
Terminal input resistance	410 Ohms ± 30 Ohms
Terminal output resistance	350 Ohms ± 5 Ohms
Insulation resistance (Min.)	2000 MOhms at 50V DC
Excitation voltage	5V(Recommended), 8V(Max.)
Electrical connection	Ø3mmx1.5m (28AWG x 4Core Shielded)
Protection class	meets IP 67
Safe overload	150% R.C
Ultimate overload	300% R.C
Material	17-4PH Stainless steel

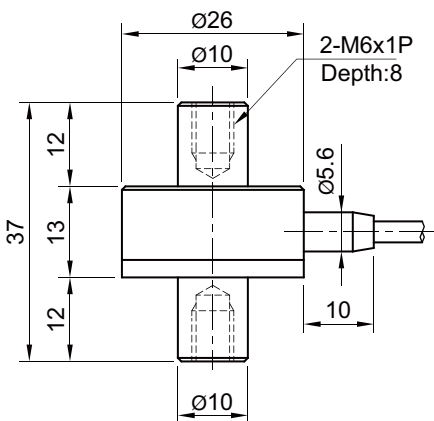
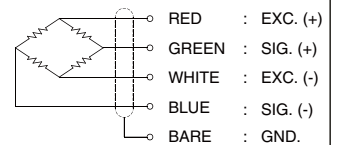


### ORDERING INFORMATION

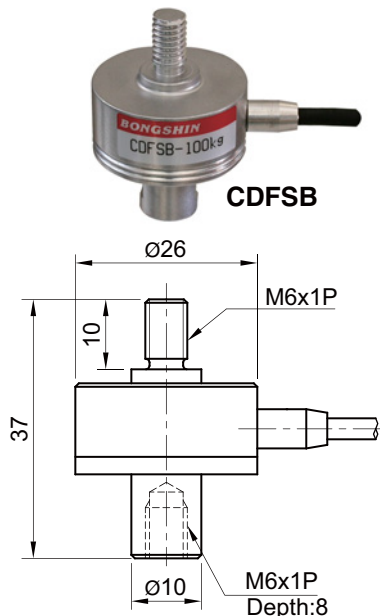
CDFS( ) - 10

MODEL	CAPACITY
CDFSA	10, 30, 50,
CDFSB	100, 200kg
CDFSC	

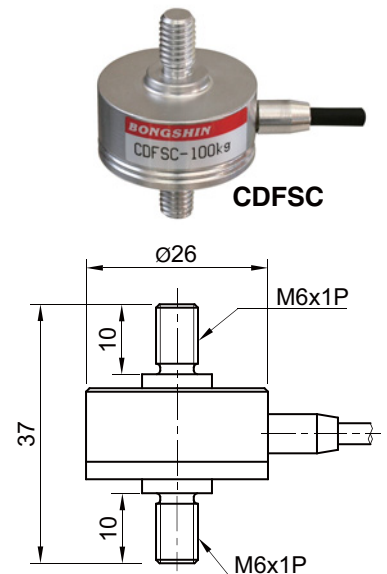
### WIRING INFORMATION



**Type - A**



**Type - B**



**Type - C**

\* Specifications are subject to change without notice

NOR, 2014